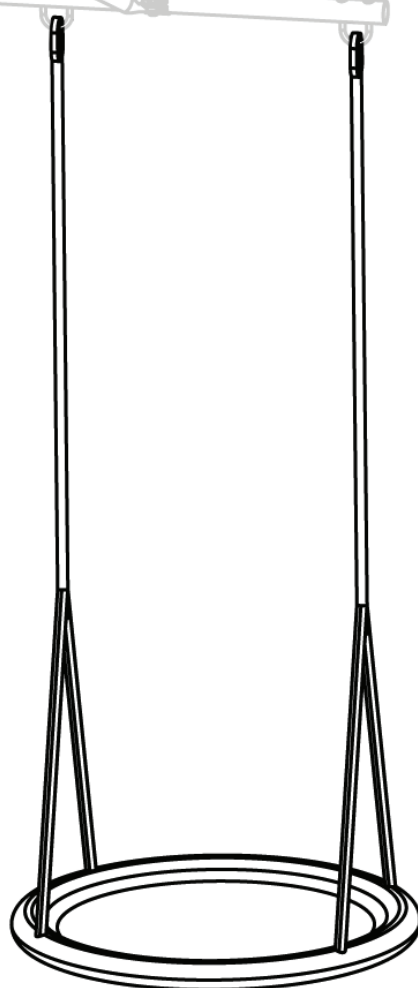


# SPARK

## Hanging Net Manual

READ MANUAL FIRST



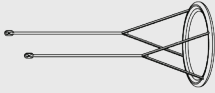
# Preparation



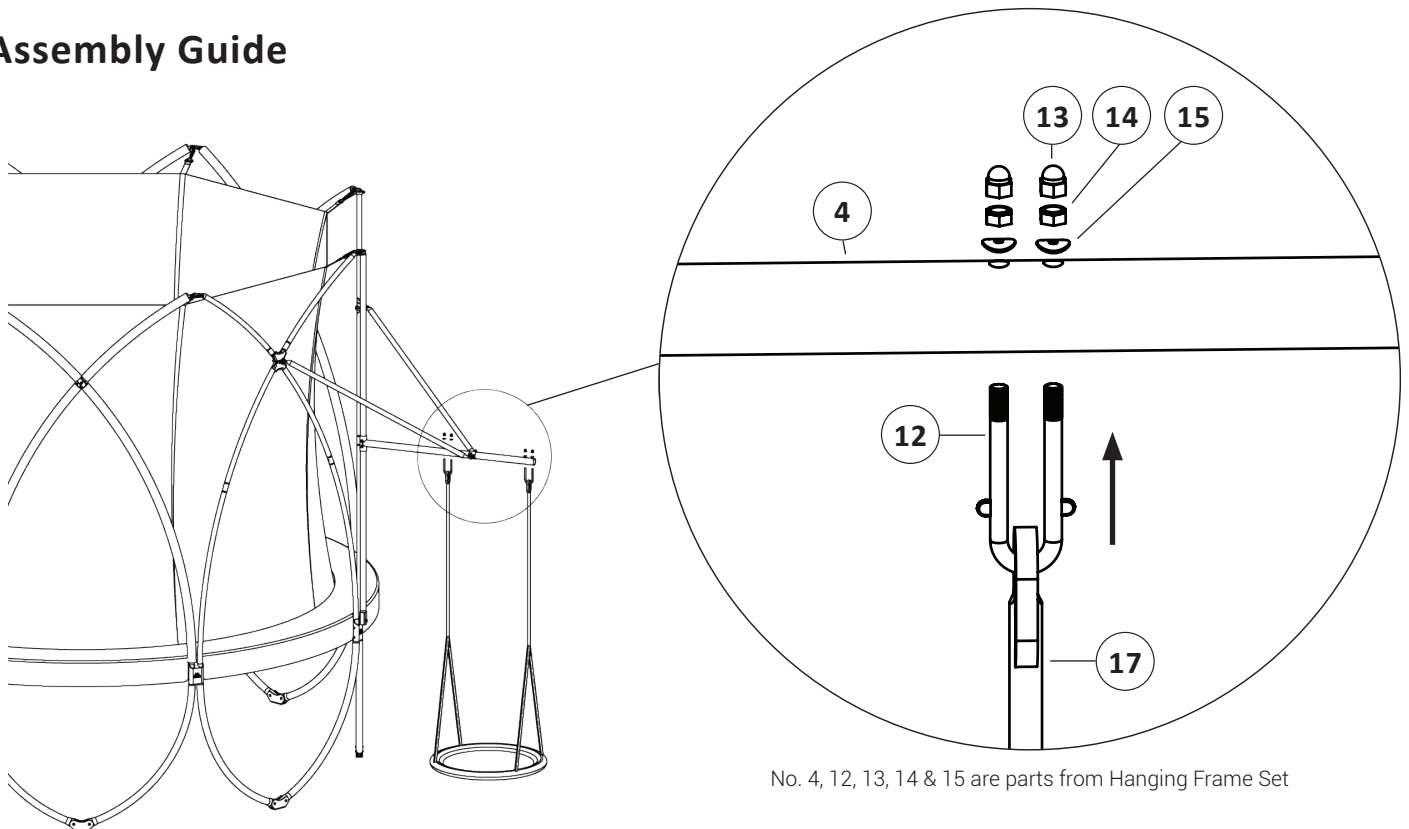
1

1. **Gloves:** It is recommend that people who are willing to install the hanging net should wear gloves to prevent injuries.

## Parts Check List

Part No	Parts	Quantity
17		1

## Assembly Guide



No. 4, 12, 13, 14 & 15 are parts from Hanging Frame Set

### WARNING

- This hanging net is for family domestic use only.
- Adult assembly of this hanging net is required.

### MAINTENANCE INSTRUCTION

To maximise the life of your hanging net. It is important to check and carry out necessary maintenance regularly.

